



19°, 26°, 36° & 50°

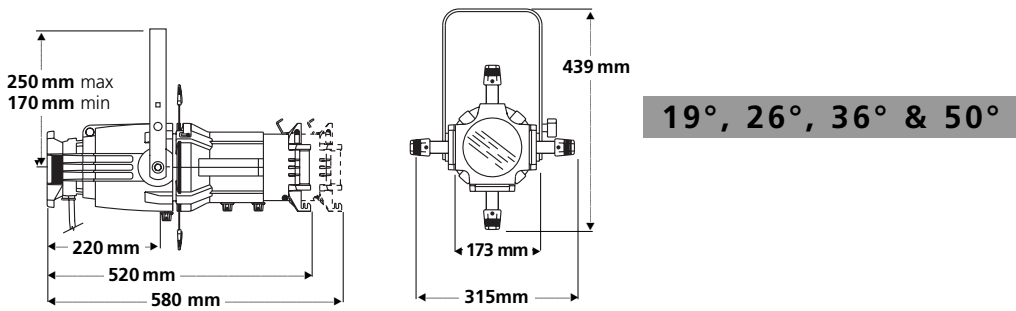
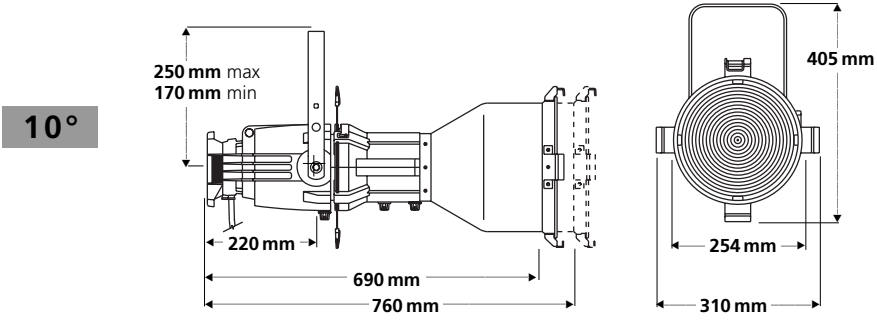
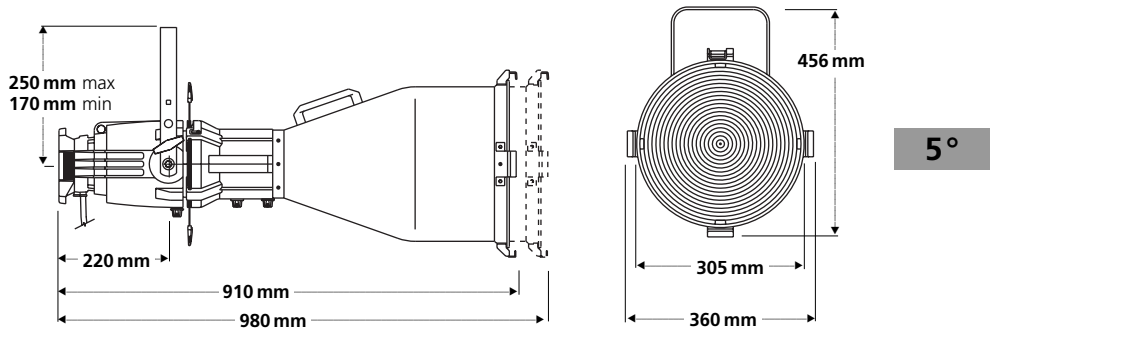


5° & 10°

## Specifications

### Ellipsoidal luminaire

- |                   |  |                |  |
|-------------------|--|----------------|--|
| <b>Physical</b>   | <ul style="list-style-type: none"> <li>• Die cast aluminium construction</li> <li>• Rotating shutter assembly <math>\pm 25^\circ</math></li> <li>• Stainless steel shutters in tri-plane assembly</li> <li>• Interchangeable lens tubes with smooth-running teflon guides</li> <li>• Thermally insulated rear handle and knobs</li> <li>• Integral die cast colour frame / accessory holders and top mounted retainer</li> <li>• Steel yoke with two mounting positions</li> <li>• Positive locking single clutch luminaire body, double clutch for 5°</li> <li>• Slot for glass or stainless steel gobos</li> <li>• Slot with sliding cover for motorised gobo devices or optional iris</li> <li>• Integrated safety cable support</li> </ul> | <b>Optical</b> | <ul style="list-style-type: none"> <li>• 19°, 26°, 50° - projector-quality, high contrast aspheric lens. 36° - meniscus front lens and bi-convex rear lens</li> <li>• 5° and 10° - light weight acrylic fresnel lens</li> <li>• Faceted reflector with dichroic coating</li> <li>• 95% of visible light transmitted through the optical train</li> <li>• 90% of infrared radiation (heat) passes through the reflector</li> <li>• Reflector and lenses secured with anti-vibration shock mounts</li> <li>• Low gate and beam temperature, shutters will not warp or distort</li> <li>• Tool free lamp centring (X/Y) and peak/flat (Z) adjustment knobs</li> <li>• Positive locking X, Y and Z adjustments</li> <li>• Beam edge continually adjustable</li> <li>• Interchangeable lens tubes permit selection of 5°, 10°, 19°, 26°, 36°, and 50° field angles</li> </ul> |
| <b>Electrical</b> | <ul style="list-style-type: none"> <li>• 230-240V, 50Hz</li> <li>• High temperature 3-conductor cable in a silicon rubber outer sleeve</li> <li>• CE approved</li> </ul>   |                |  |
| <b>Lamp</b>       | <ul style="list-style-type: none"> <li>• 750W maximum</li> <li>• HPL — compact tungsten filament lamp</li> <li>• Patented filament geometry makes for extremely efficient light collection and transmission</li> <li>• Integral die cast aluminium heat sink lamp base</li> </ul>  |                |  |



Source Four Weights\*

	Luminaire Weight kg	Packed Weight kg	Packed Dimensions mm
5°	10.0	14.0	390 x 390 x 1060
10°	8.5	10.5	390 x 390 x 850
19°, 26°, 36°, 50°	7.0	8.5	290 x 290 x 650

\*Weights and dimensions approximate

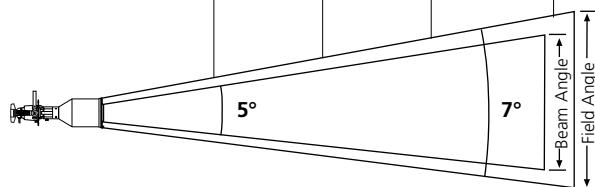
Lamp code	Watts	Volts	Initial Lumens	Colour Temp.	Average Rated Life (hours)	MF
HPL 750/230	750	230	19,400	3,200°	300	0.90
HPL 750/240	750	240	19,400	3,200°	300	0.90
HPL 575/230	575	230	14,900	3,200°	400	0.76
HPL 575/240	575	240	14,900	3,200°	400	0.76
HPL 575/230X	575	230	11,780	3,050°	1500	0.61
HPL 575/240X	575	240	11,780	3,050°	1500	0.64
HPL 375/230X	375	230	7,800	3,050°	1000	0.38
HPL 375/240X	375	240	7,800	3,050°	1000	0.38

**Warning:** Use of lamps other than HPL will void CE safety approval and product warranty. Source Four is rated for 750W maximum.

**Note:** For illumination with any lamp, multiply the candlepower of a beam spread by the Multiplying Factor (MF) shown for that lamp.

## Photometric Data

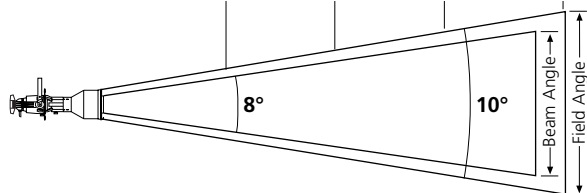
5°	Distance (m)	25.0	35.0	40.0	50.0
	Field Diameter (m)	3.0	4.2	4.8	6.0
	Illumination 230V (lux)	1904	971	744	476
	Illumination 240V (lux)	1469	749	574	367



For Field diameter at any distance, multiply distance by 0.12  
For Beam diameter at any distance, multiply distance by 0.09

Voltage	Candlepower	Field Lumens	Efficacy LPW	Efficiency %
230	1,190,000	7,200	9.6	37.1
240	918,000	5,270	7.0	27.2

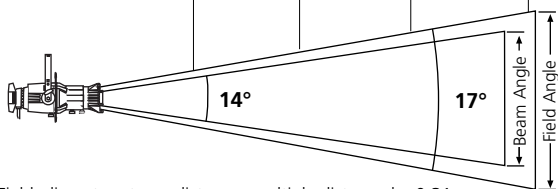
10°	Distance (m)	16.0	22.0	28.0	34.0
	Field Diameter (m)	3.0	4.2	5.3	6.5
	Illumination 230V (lux)	2770	1465	904	613
	Illumination 240V (lux)	2297	1215	750	509



For Field diameter at any distance, multiply distance by 0.19  
For Beam diameter at any distance, multiply distance by 0.14

Voltage	Candlepower	Field Lumens	Efficacy LPW	Efficiency %
230	709,000	9,650	12.9	49.7
240	588,000	7,830	10.4	40.4

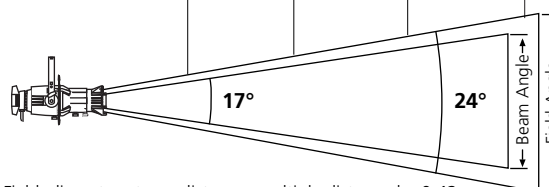
19°	Distance (m)	10.0	13.0	16.0	20.0
	Field Diameter (m)	3.1	4.3	5.0	6.2
	Illumination 230V (lux)	1860	1101	727	465
	Illumination 240V (lux)	1660	982	648	415



For Field diameter at any distance, multiply distance by 0.31  
For Beam diameter at any distance, multiply distance by 0.25

Voltage	Candlepower	Field Lumens	Efficacy LPW	Efficiency %
230	186,000	8,510	11.3	43.9
240	166,000	7,580	10.1	39.1

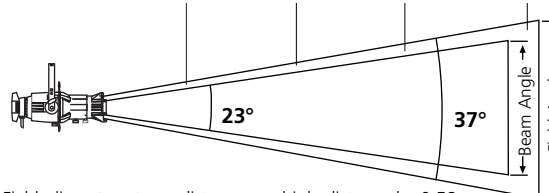
26°	Distance (m)	7.0	10.0	12.0	15.0
	Field Diameter (m)	2.9	4.2	5.0	6.3
	Illumination 230V (lux)	2939	1440	1000	640
	Illumination 240V (lux)	2653	1300	903	578



For Field diameter at any distance, multiply distance by 0.42  
For Beam diameter at any distance, multiply distance by 0.30

Voltage	Candlepower	Field Lumens	Efficacy LPW	Efficiency %
230	144,000	10,200	13.6	52.6
240	130,000	9,120	12.2	47.0

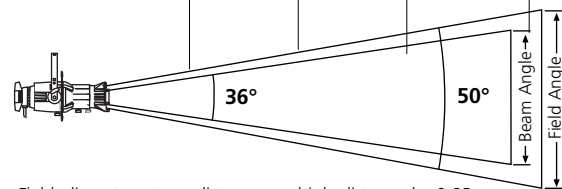
36°	Distance (m)	5.0	7.0	9.0	11.0
	Field Diameter (m)	2.9	4.0	5.2	6.4
	Illumination 230V (lux)	3364	1716	1038	695
	Illumination 240V (lux)	3328	1698	1027	688



For Field diameter at any distance, multiply distance by 0.58  
For Beam diameter at any distance, multiply distance by 0.41

Voltage	Candlepower	Field Lumens	Efficacy LPW	Efficiency %
230	84,100	11,200	14.9	57.7
240	83,200	10,800	14.4	55.7

50°	Distance (m)	3.0	4.5	5.5	6.5
	Field Diameter (m)	2.8	4.2	5.1	6.0
	Illumination 230V (lux)	3767	1674	1121	802
	Illumination 240V (lux)	3789	1684	1127	807



For Field diameter at any distance, multiply distance by 0.93  
For Beam diameter at any distance, multiply distance by 0.64

Voltage	Candlepower	Field Lumens	Efficacy LPW	Efficiency %
230	33,900	10,800	14.4	55.7
240	34,100	10,700	14.3	55.2

All photometric data in this document was prepared using standard production luminaires, and the Prometric™ CCD measurement system. Luminaires were adjusted for cosine distribution, and were tested with calibrated HPL 750/230V 19,400 and HPL 750/240V 19,400 lumens lamps at their rated voltage. All data was normalised to nominal lamp lumens.

To determine illumination in footcandles or lux at any throw distance, divide candlepower by distance squared.

# Source Four™ Fixed Focus

## Ordering information

### Source Four

Part No	Description
7060A1205	5° Source Four (black)
7060A1206	10° Source Four (black)
7060A1207	19° Source Four (black)
7060A1208	26° Source Four (black)
7060A1209	36° Source Four (black)
7060A1210	50° Source Four (black)

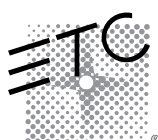
7060A\*\*\*\*-1 For white please add -1 to the end of the part number

ETC Source Fours are supplied with colour frame and cable to bare ends as standard.

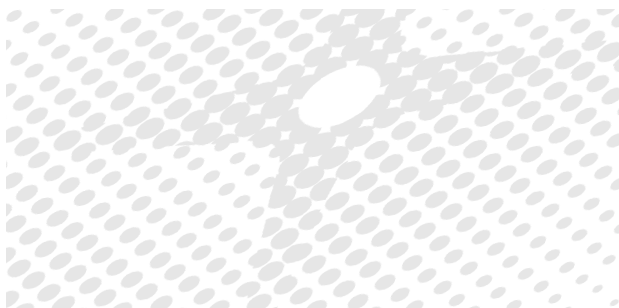
### Source Four Accessories

Part No	Description
7060A2000	5° Lens tube
7060A2001	10° Lens tube
7060A2202	19° Lens tube
7060A2203	26° Lens tube
7060A2204	36° Lens tube
7060A2205	50° Lens tube
7060A1075	Metal gobo holder, B size
7060A1075-1	Glass gobo holder, B size
7060A1074	Metal gobo holder, A size (for iris slot)
7060A1012	Drop-in iris
7060A3043	Colour frame 159 x 159 mm (included) 19°- 50°
7060A3069	Colour frame 305 x 305mm (included) 10°
7060A3070	Colour frame 356 x 356mm (included) 5°
7060A1015	Donut 159 x 159mm 19°- 50°
7060A1028	Donut 305 x 305mm 10°
7060A1029	Donut 356 x 356mm 5°
PSF1021	Top hat 159 x 159 x 127mm (not recommended for 50°)
PSF1020	Colour extender 159 x 159 x 76mm
7060A1223	Source Four Luminaire body, single clutch
7060A1230	Source Four Luminaire body, double clutch

**Note:** For colours other than black or white and for the full range of Source Four accessories available please contact ETC Europe or your local dealer



**Europe** Tel: +44 (0)20 8896 1000 • Fax: +44 (0)20 8896 2000  
**Americas** Tel: +1 608 831 4116 • Fax: +1 608 836 1736  
**Asia** Tel: +852 2799 1220 • Fax: +852 2799 9325  
**Email:** mail@etceurope.com • **Web:** www.etconnect.com



7060L1013-GB - rev 8